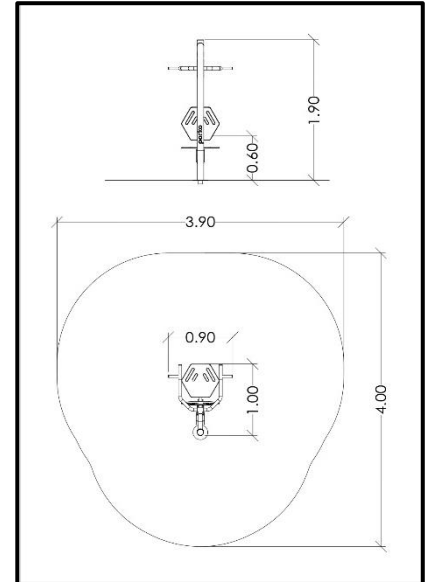


TR011

Pull Station

PRODUCT INFORMATION

Movement space	390x400 cm
Area of movement	12,15 m ²
Dimensions	90x100 cm
Overall Height	190 cm
Free falling height	60 cm
Foundations	1 pcs
Availability of spare parts	YES
EN 16630 compliance	YES
Age group	14+
Number of users	1



MATERIALS

- Posts (colored): Hot Dip Galvanized and powder coated Steel
- Posts (non - colored): Hot Dip Galvanized (plain) or Stainless Steel (304 / 316L)
- Panels: HPL Antiskid 12mm (EXT)
- Metal Parts (colored): Hot Dip Galvanized and powder coated Steel
- Metal Parts (non - colored): Hot Dip Galvanized (plain) or Stainless Steel (304 / 316L)
- Steel Ropes apparatus: Steel core ropes braided with polypropylene (Ø16mm). Solid and aesthetic connectors made of injection molded durable plastic / end-connectors and sleeves made of durable aluminum alloy
- All other plastic elements: Fiber reinforced plastic
- Fasteners: Electroplated coated or Stainless Steel (304 / 316L)
- Chains: Hot Dip Galvanized (plain) or Stainless Steel (304 / 316L) / Ø6mm / According to DIN 766



Please note that the above list of materials concerns the articles of the whole series. Therefore, some of them are not used in the described article.