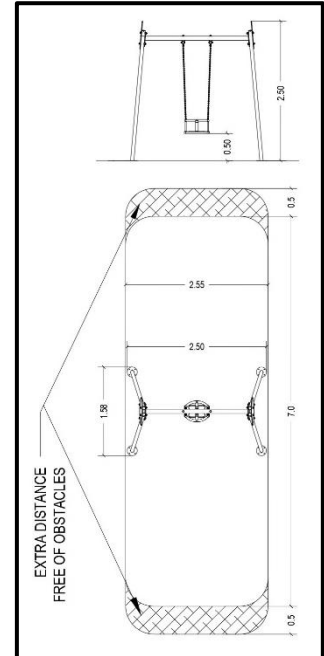


K064

Single Metal Cradle Swing

INFORMATION ABOUT PRODUCT

Minimum Space	255x700x317 cm
Impact Protection net	17,63 m ²
Dimensions	250x158 cm
Overall Height	250 cm
Free falling height	130 cm
Foundations	4 pcs
Availability of spare parts	YES
Product complies with EN 1176	YES
Age range	1,5-4
Amount of users	1



MATERIALS

- Top Axle: Hot Dip Galvanized metal circular cross section cross bar with large steel end plates attached
- Footings: Hot Dip Galvanized and powder coated Steel tubes
- Decorative Panels: HPL (EXT)
- Chains: Hot Dip Galvanized (plain) or Stainless Steel (304 / 316L) / Ø6mm / According to DIN 766
- Swing joints, Galvanized or Stainless-steel heavy duty with nylon bearings
- Swing seat (child): Injection molded TPE (thermoplastic elastomer) reinforced with an aluminum insert plate
- Swing seat (toddler): Injection molded TPE (thermoplastic elastomer) reinforced with an aluminum insert plate. Protective apparatus made in the same manner.
- Nest swing 'rosette': Hot Dip Galvanized steel ring wrapped with steel core rope braided with polypropylene. Seat made of steel-rope chain-link mat. The suspension ropes are made with steel core rope braided with polypropylene ending with a stainless-steel chain on the top end to adjust the suspension length. The shackles are made in high-quality stainless steel. All of the clip rings are made in aluminum.
- Fasteners: Electroplated coated or Stainless Steel (304 / 316L)
- Ground Anchors: Hot Dip Galvanized steel



Please note that the above list of materials concerns the articles of the whole series. Therefore, some of them are not used in the described article.

materials concerns the articles of the whole series. Therefore, some of them are not used in the described article.