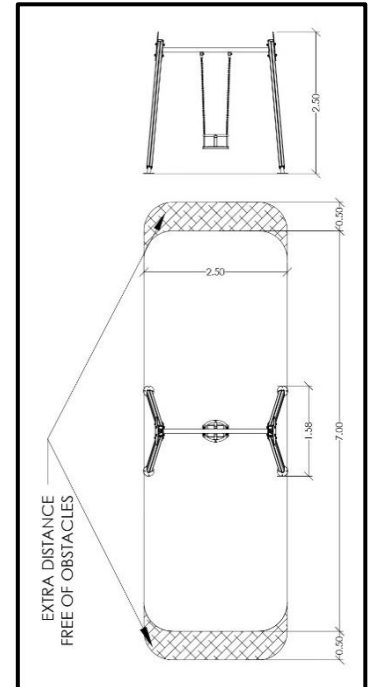


K041

Wooden Cradle Swing

INFORMATION ABOUT PRODUCT

Minimum Space	250x700x317 cm
Impact Protection net	18 m ²
Dimensions	250x158 cm
Overall Height	250 cm
Free falling height	130 cm
Foundations	4 pcs
Availability of spare parts	YES
Product complies with EN 1176	YES
Age range	1,5-4
Amount of users	1



MATERIALS

- Top Axle: Hot Dip Galvanized metal circular cross section cross bar with large steel end plates attached
- Footings: Posts: Laminated pine wood 95x95mm
- Decorative Panels: HPL (EXT)
- Chains: Hot Dip Galvanized (plain) or Stainless Steel (304 / 316L) / Ø6mm / According to DIN 766
- Swing joints, Galvanized or Stainless-steel heavy duty with nylon bearings
- Swing seat (child): Injection molded TPE (thermoplastic elastomer) reinforced with an aluminum insert plate
- Swing seat (toddler): Injection molded TPE (thermoplastic elastomer) reinforced with an aluminum insert plate. Protective apparatus made in the same manner.
- Nest swing 'rosette': Hot Dip Galvanized steel ring wrapped with steel core rope braided with polypropylene. Seat made of steel-rope chain-link mat. The suspension ropes are made with steel core rope braided with polypropylene ending with a stainless-steel chain on the top end to adjust the suspension length. The shackles are made in high-quality stainless steel. All of the clip rings are made in aluminum.
- Fasteners: Electroplated coated or Stainless Steel (304 / 316L)
- Ground Anchors: Hot Dip Galvanized steel



Please note that the above list of materials concerns the articles of the whole series. Therefore, some of them are not used in the described article.