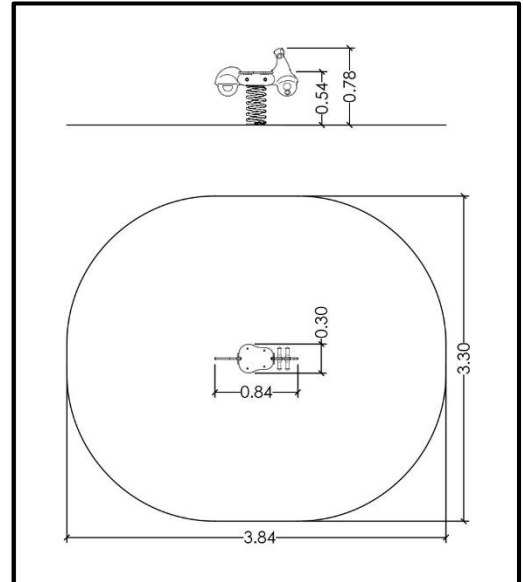


E010

Springer "Motorcycle"

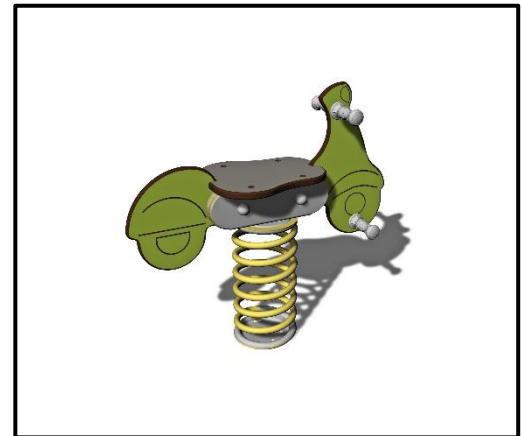
INFORMATION ABOUT PRODUCT

| | |
|-------------------------------|----------------------|
| Minimum Space | 384x330x234 cm |
| Impact Protection net | 10,70 m ² |
| Dimensions | 84x30 cm |
| Overall Height | 78 cm |
| Free falling height | <60 cm |
| Foundations | 1 pcs |
| Availability of spare parts | YES |
| Product complies with EN 1176 | YES |
| Age range | 1,5-14 |
| Amount of users | 1 |



MATERIALS

- Springs: High quality spring steel according to EN10270. The springs are cleaned by phosphating before they are painted with an epoxy primer and a polyester powder coating as top finish.
- Single figure main boy: HPL 18 mm (EXT)
- Double figure main boy: HPL 12 mm (EXT)
- Seat: HPL Antiskid 12mm (EXT)
- Hand Grips / Foot Rest: Fiber reinforced plastic
- Metal Parts (colored): Hot Dip Galvanized and powder coated Steel
- Metal Parts (non - colored): Hot Dip Galvanized and / or Stainless Steel
- Fasteners: Electroplated coated or Stainless Steel (304 / 316L)
- Ground Anchors: Hot Dip Galvanized steel



Please note that the above list of materials concerns the articles of the whole series. Therefore, some of them are not used in the described article.