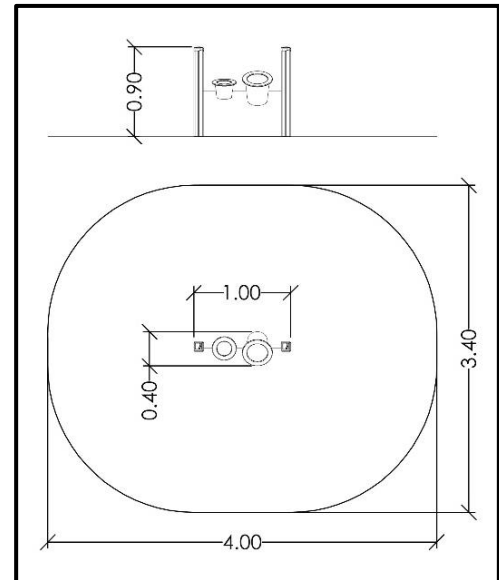


G413

Interactive Playground Equipment “Drums”

INFORMATION ABOUT PRODUCT

Minimum Space	400x340x270 cm
Impact Protection net	11,5 m ²
Dimensions	100x40 cm
Overall Height	90 cm
Free falling height	<60 cm
Foundations	2 pcs
Availability of spare parts	YES
Product complies with EN 1176	YES
Age range	1,5-14
Amount of users	2



MATERIALS

- Posts: Laminated pine wood 95x95mm / Hot Dip Galvanized and powder coated Steel
- Post cups made of Fiber - Reinforced Plastic
- Panels: HPL 12mm (EXT)
- Metal Parts (colored): Hot Dip Galvanized and powder coated Steel
- Metal Parts (non - colored): Hot Dip Galvanized (plain) or Stainless Steel (304 / 316L)
- All other plastic elements: Fiber reinforced plastic
- Fasteners: Electroplated coated or Stainless Steel (304 / 316L)



Please note that the above list of materials concerns the articles of the whole series. Therefore, some of them are not used in the described article.