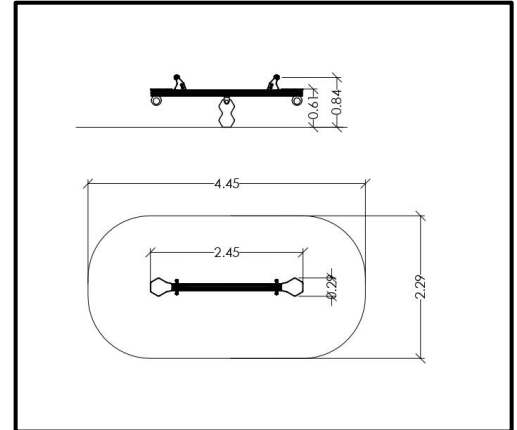


T215

Seesaw Classic Series

INFORMATION ABOUT PRODUCT

Minimum Space	445x229x241 cm
Impact Protection net	9,40 m ²
Dimensions	245x29 cm
Overall Height	84 cm
Free falling height	80 cm
Foundations	1 pcs
Availability of spare parts	YES
Product complies with EN 1176	YES
Age range	3-14
Amount of users	2



MATERIALS

- Laminated wood
- HPL 18mm
- HPL Antiskid 12mm
- Hot dip galvanized
- Hot dip galvanised and powder coated
- Soft EPDM rubber
- Hand Grips / Foot Rest, Polyamide Plastic Reinforced
- Fiber - Reinforced Plastic
- Fasteners made of Stainless Steel (AISI 316L)



Please note that the above list of materials concerns the articles of the whole series. Therefore, some of them are not used in the described article.