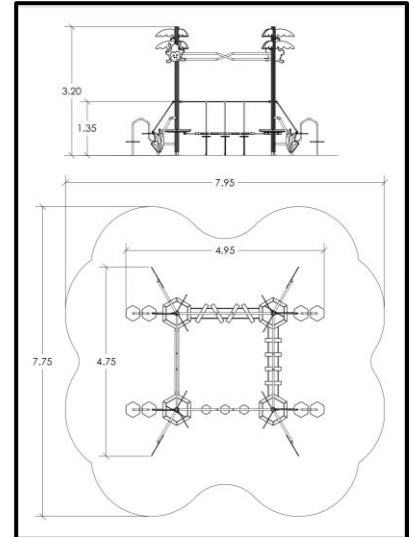


A500

Climbing Apparatus

INFORMATION ABOUT PRODUCT

Minimum Space	795x775x315 cm
Impact Protection net	51,55 m ²
Dimensions	495x475 cm
Overall Height	320 cm
Free falling height	135 cm
Foundations	15 pcs
Availability of spare parts	YES
Product complies with EN 1176	YES
Age range	3-14
Amount of users	20



MATERIALS

- Posts: Hexagonal outer cross-section with Circular inner cross section metal tube reinforcement. Outer cross section consists of mixed PVC material (hard faces with soft corners) and inner cross section made of Galvanized metal tube $\Phi 88.9$ / $t=3$ mm.
- Post cups: Hexagonal shaped Thermoplastic Elastomer (TPE) / hardness 75 shore
- Floors: HPL Antiskid 12mm (EXT)
- Panels: HPL 12mm (EXT)
- Wooden elements: Pine wood
- Metal Parts (colored): Hot Dip Galvanized and powder coated Steel
- Metal Parts (non - colored): Hot Dip Galvanized (plain) or Stainless Steel (304 / 316L)
- Steel Ropes apparatus: Steel core ropes braided with polypropylene ($\Phi 16$ mm). Solid and aesthetic connectors made of injection molded durable plastic / end-connectors and sleeves made of durable aluminum alloy.
- All other plastic elements: Fiber reinforced plastic
- Fasteners: Electroplated coated or Stainless Steel (304 / 316L)
- Chains: Hot Dip Galvanized (plain) or Stainless Steel (304 / 316L) / $\Phi 6$ mm / According to DIN 766
- Anchors: Hot Dip Galvanized steel



Please note that the above list of materials concerns the articles of the whole series. Therefore, some of them are not used in the described article.