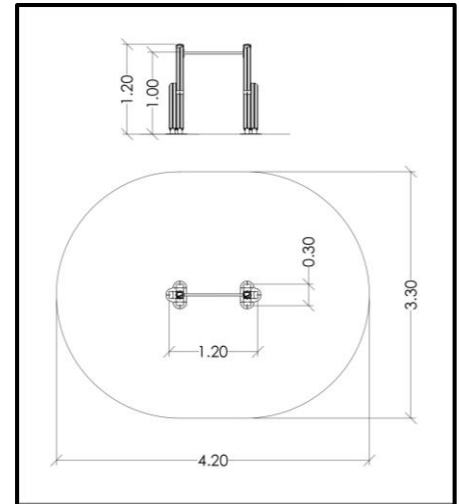


# A019D

## Climbing Apparatus

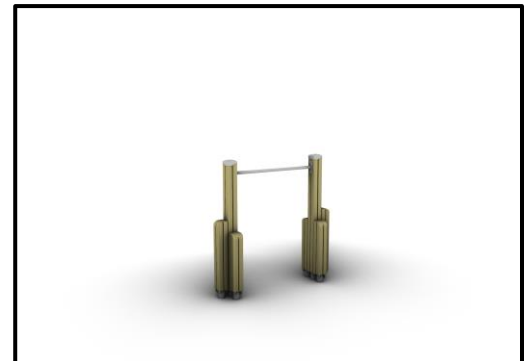
### INFORMATION ABOUT PRODUCT

Minimum Space	420x330x300 cm
Impact Protection net	11,40 m <sup>2</sup>
Dimensions	120x30 cm
Overall Height	120 cm
Free falling height	100 cm
Foundations	2 pcs
Availability of spare parts	YES
Product complies with EN 1176	YES
Age range	3-14
Amount of users	1



### MATERIALS

- Posts: Laminated pine wood 95x95mm
- Post cups made of Fiber - Reinforced Plastic
- Floors: HPL Antiskid 12mm (EXT)
- Panels: HPL 12mm (EXT)
- Wooden elements: Pine wood
- Metal Parts (colored): Hot Dip Galvanized and powder coated Steel
- Metal Parts (non - colored): Hot Dip Galvanized (plain) or Stainless Steel (304 / 316L)
- Steel Ropes apparatus: Steel core ropes braided with polypropylene (Ø16mm). Solid and aesthetic connectors made of injection molded durable plastic / end-connectors and sleeves made of durable aluminum alloy.
- All other plastic elements: Fiber reinforced plastic
- Fasteners: Electroplated coated or Stainless Steel (304 / 316L)
- Chains: Hot Dip Galvanized (plain) or Stainless Steel (304 / 316L) / Ø6mm / According to DIN 766
- Anchors: Hot Dip Galvanized steel



*Please note that the above list of materials concerns the articles of the whole series. Therefore, some of them are not used in the described article.*